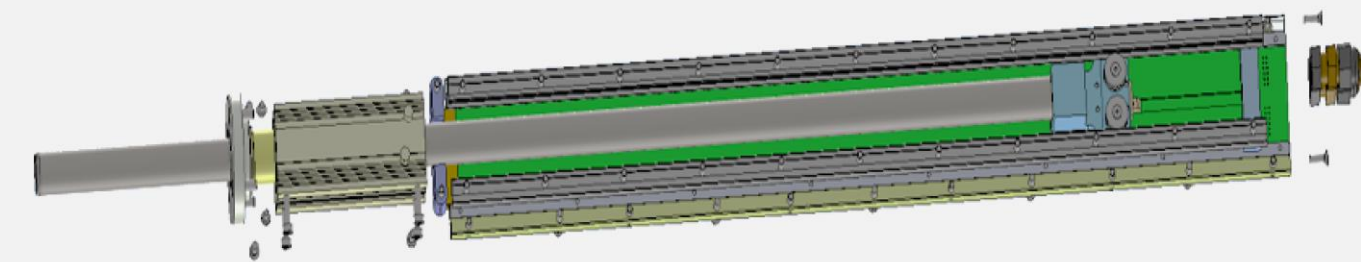
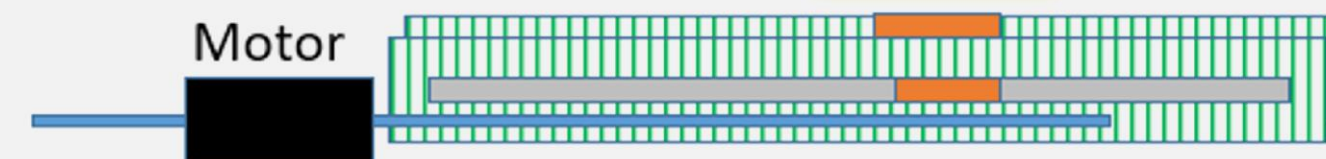


Custom Automation

- Linear high speed actuator
- Passive Head absolute position Encoder based on the Free™ Building blocks



FREE[™]



Custom Medical Application

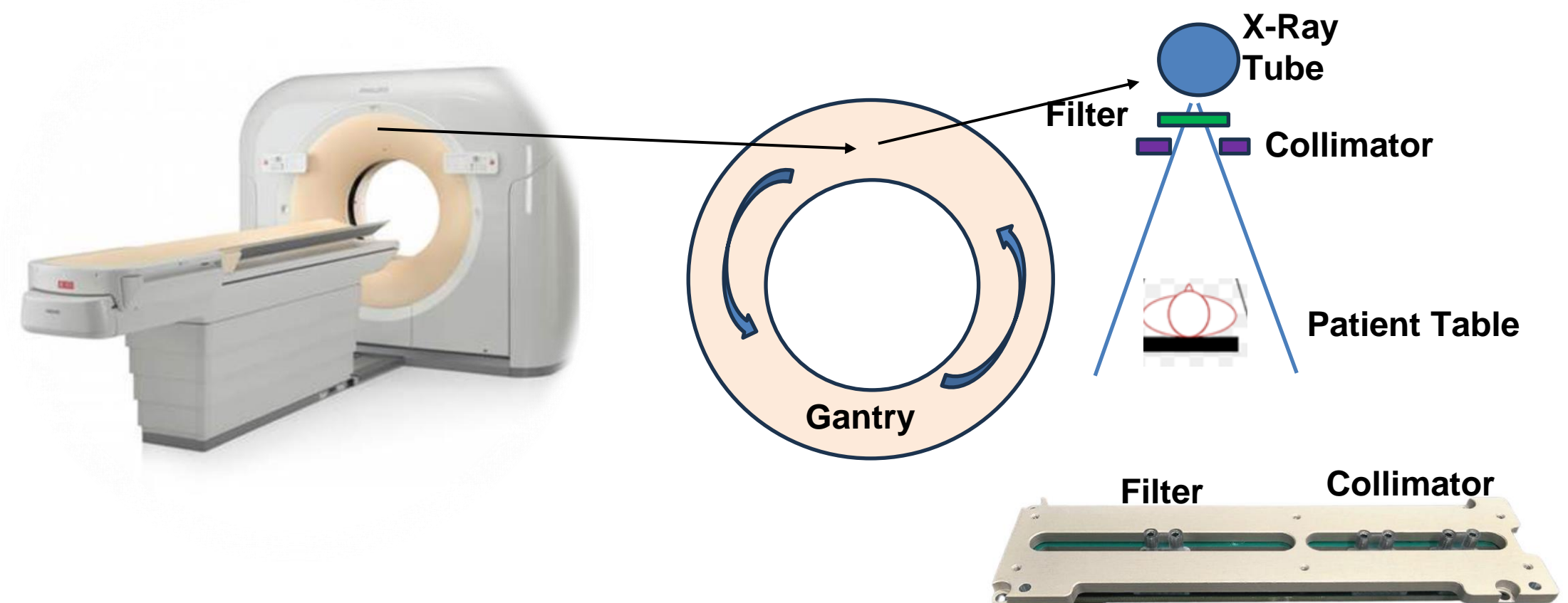
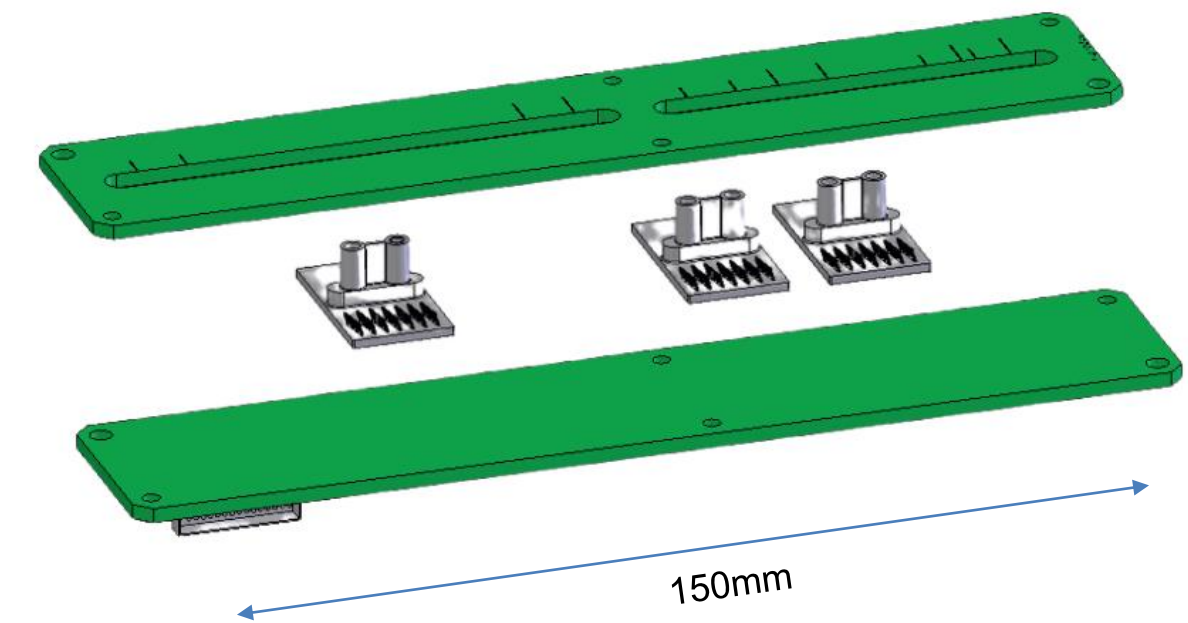
- Single Scale !

- 3 Absolute linear encoders Function

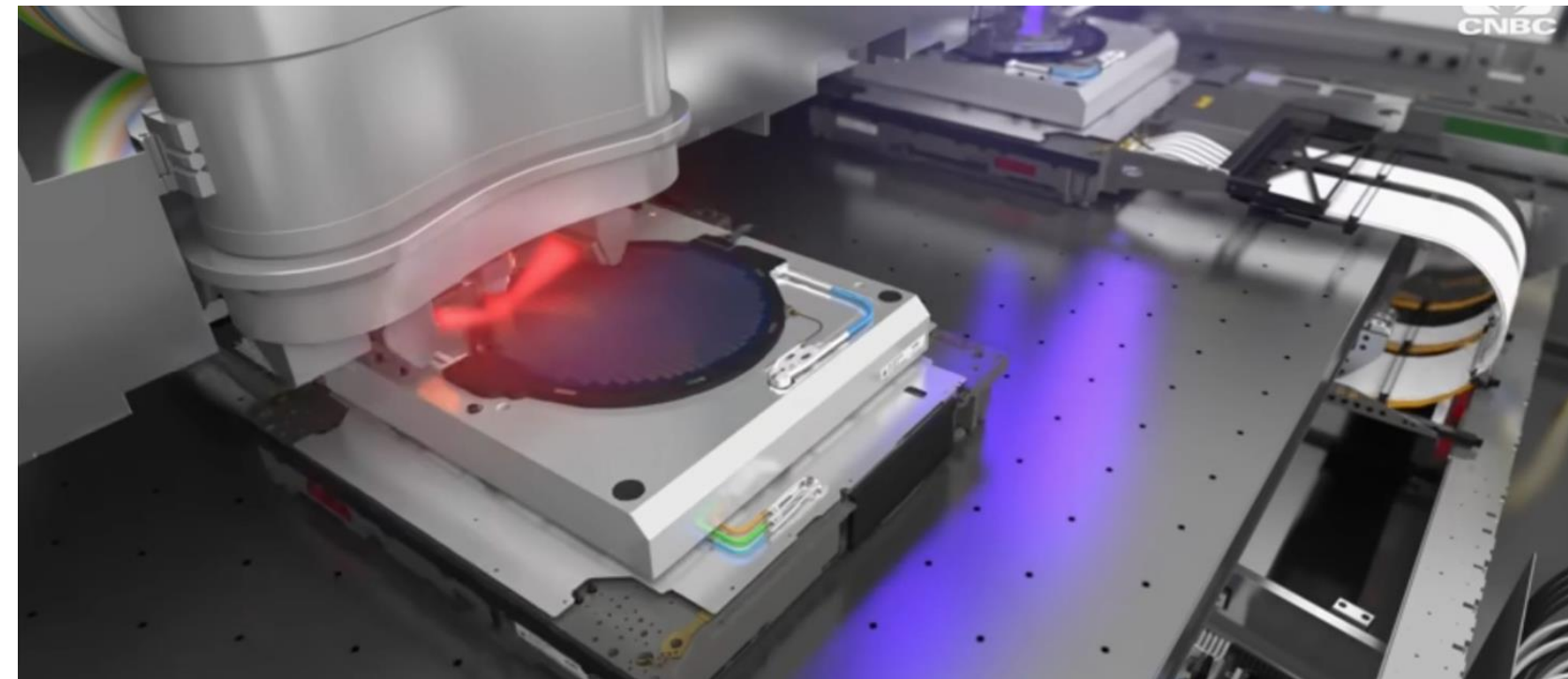
- Based on the Free[™] Building blocks

- 3 wireless Read Heads

- Custom Mechanics



**Semiconductors
Machine**



Custom Optical Application

- Single Scale !

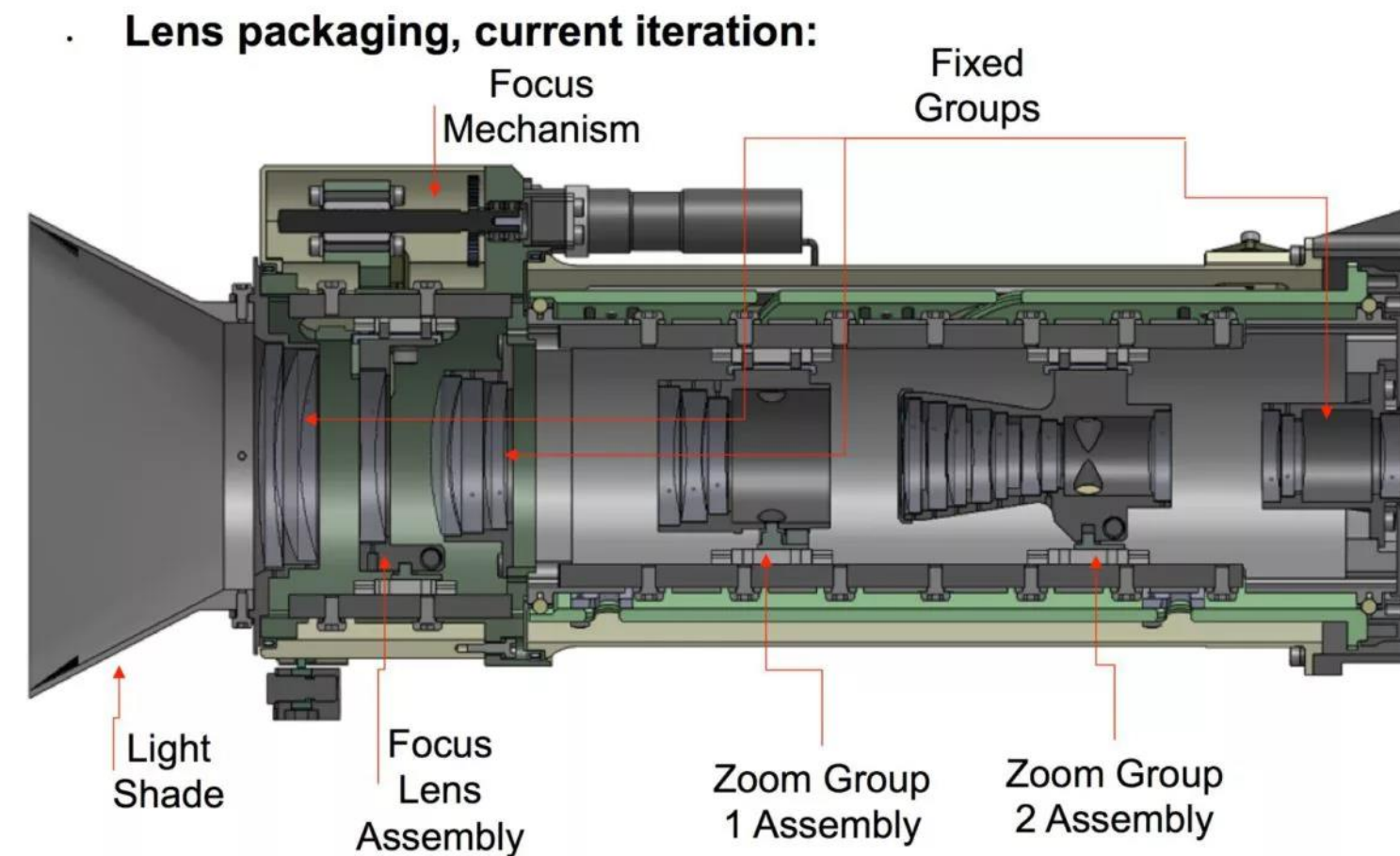
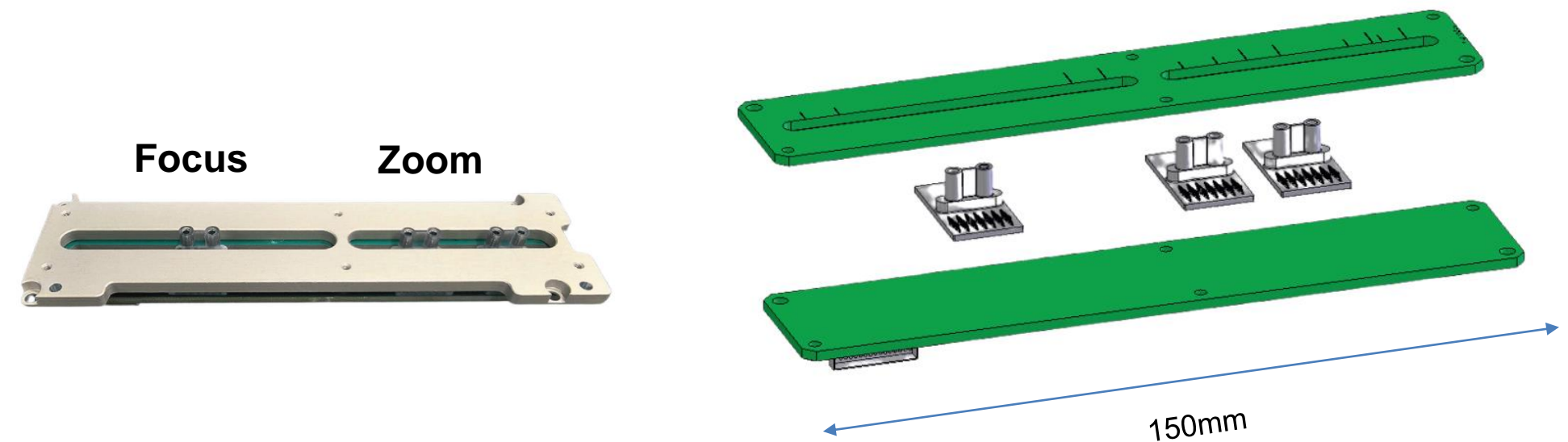
- 2 Absolute linear encoders (Zoom)

- 3 Absolute linear encoders (Zoom & focus)

- Based on the Free[™] Building

- wireless Read Heads

- Custom light Mechanics



Circular Conveyors

